



## DLCR The Light that Embrace the workspace Ceiling

A slim, functional recessed LED downlight designed for shallow recess depths, delivering efficient workplace illumination.

### FEATURES

Pressure Die cast Aluminum housing for optimal thermal conductivity.

Highly transmittance diffused diffuser for optimal light visibility.

Corrosion resistance white Powder coated finish using Nano Technology.

High efficiency driver with necessary safety protections along with additional 6 KV SPD

### TECHNICAL DATA

Lumen maintenance	L70 @ 50K Hours
Photo biological Safety	RG0
Electrical Insulation Class	Class 1
IP Rating	IP20
Driver Placement	Non Integral
Driver Type	Constant Current
Rated I/P Voltage	220V- 240 VAC
Rated I/P Current	0.06A@15W
PF	>0.95
THD	<10%
IK Rating	IK 02
Operating ambient Temp	0 to 35 Degree C
Input Voltage Range	140V-270V
MacAdam Value	3 SDCM
Wattage	10W- 18W

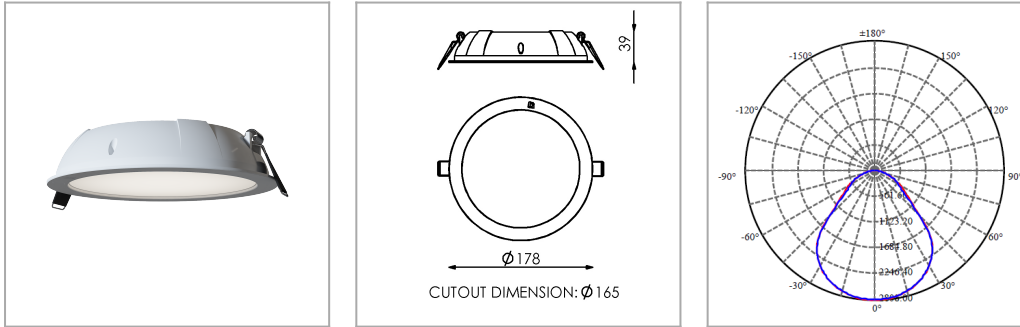
### POWER OPTIONS

Wattage	Lumen/Watt	CCT
10W-12W	>105 LPW	5700 K
15W-18W	>100 LPW	5700K

### APPLICATION AREAS

Malls, Retail Shops, Offices, Lobbies , corridors etc.,





**STANDARD OPTIONS**

DOWNLIGHT RECESSED | DLCR DIFFUSED

Wattage (w)	CCT (k)	CRI	Controls	Body Color
10W	5700K 4000K 3000K	>80	NON DIM DALI2	BLACK WHITE
12W				
15W				
18W				

**ORDER LOGIC**

Category | Product Name | Wattage (w) | CCT (k) | CRI | Controls | Body Color

**EXAMPLE**

DOWNLIGHT RECESSED DLCR DIFFUSED - 15W 5700K >80 NON DIM BLACK PRISMATIC

**NOTE:** The technical data sheet with design registration stamp is the property of Lighting Technologies India Pvt. Ltd. & protected under Intellectual Property law, and it is restricted for sharing with other lighting suppliers